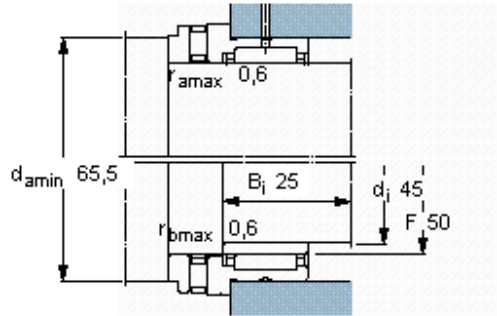
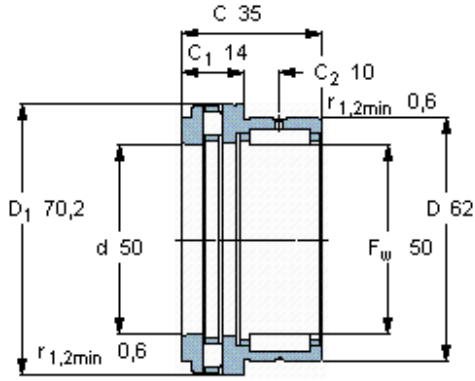


1\_18, needle roller/full complement thrust ball bearings

Principal dimensions			Basic load ratings				Speed ratings		Designation
F <sub>w</sub>	D	C	radial dynamic C	static C <sub>0</sub>	axial dynamic C	static C <sub>0</sub>	Reference speed	Limiting speed	
mm			kN				r/min		-
<b>50</b>	62	35	38	78	47,5	166	2200	4300	<b>NKXR 50</b>



**Appropriate inner ring**

IR 45x50x25